

800x2400mm

15mm Thickness _ Glossy & Matt Surface

ABSOLUTE STYLE OF LUXURY

INTRODUCTION

LEADING WITH INNOVATIONS

Our brings first time in India - Largest size slabs with automatised powder decoration.

We are facilitated with High Resolution Digital Technology from Italy.

Our unmatched quality is the result of in-house research and test lab conducting enhanced quality checks.

We have eco-friendly plant architecture with methodical plantation.

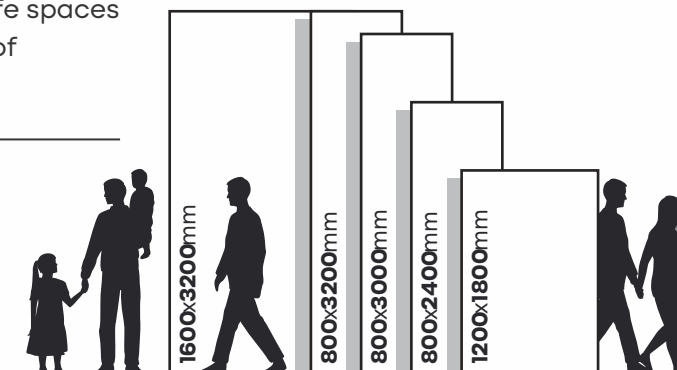
Our manufacturing plant is furnished with an in-house township.

We have an advanced assembly of robotics automated product handling

The success of a brand lies in its ability to evolve and stand ahead of its time with a pioneering vision. Our and its exceptional offering is a result of vision, demand, and objective of delivering products that add iconic values to the spaces of customers. It is also a passionate endeavor encouraged and inspired by the efforts of sustainability for a better tomorrow.

Our believes in delivering an experience beyond excellence and thus is bringing revolutionary products to the market backed by advanced technology. We believe in leading with innovations to make a remarkable impact in the lifestyle industry.

We believe in living life king size and with this belief, we offer grand-sized surfaces to create larger-than-life spaces that deliver a sense of surreality and luxury.





SUPERIORITY CRAFTED FOR EXCELLENCE

**Experience the dominion of sheer luxury and
excellence in surfaces crafted for supremacy.**



CRAFTING SUPERIOR SPACES FOR EXCEPTIONAL LIVING!

**Our brings you its our
Collection - A collection
synonymous with sheer
luxury and unmatched
opulence to evolve
your spaces into
flawless, grand, and
simply stunning
evoking a sheer sense
of extravagance and
indulgence.**

Decorate your spaces undeniably
lavish and gracious with a
premium collection of surfaces
from the our Collection. The
collection redefines the art of
lavish interiors and spaces with
its spellbinding elegance that
embraces refinement and
splendor effortlessly to help you
craft spaces superior of all and
luxurious at another level.

800x2400mm

15mm Thickness

INDULGE IN UNMATCHED LUXURY



08-09

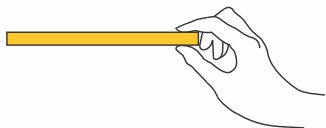
EXPLORE ENDLESS POSSIBILITIES IN LUXURIOUS SPACES

Discover limitless possibilities to seamlessly elegant and flawless spaces with our Collection in its grand size of 800x2400mm. The colossal size paired with unmatched brilliance of two spectacular finishes and robust thickness of 15mm is all it takes to design spaces utterly elegant and sophisticated.



800x2400mm
80x240cm, 32x120in

15mm Thickness



800x2400mm

15mm Thickness

our brings you its astonishing collection in superior Matt and Glossy finishes. The versatile finishes are capable of instilling unmatched elegance and poise in your spaces paired with outstanding designs and patterns.

**Matt
Surface**

**Glossy
Surface**

DESIGNED FOR AN EFFORTLESS LIFESTYLE

The superior our collection is an assembly of superior surfaces packed with exceptional features that are specially designed to make your lifestyle effortlessly easier and lavish at the same time. The features aid the modern lifestyle by transforming your spaces into easy to clean, maintain, and ideal for versatile uses.

TECHNICAL FEATURES



Scratch and Abrasion Resistant



Resistant to Chemicals, Acids, Bases, and Solvents



Easy to Clean Surface



Resistant to Fire and Heat



Frost Resistant Surface



Flatness and Stability Over Time



Hygienic and Suitable for Contact with Food



Water Resistant Surface



Stain Resistant Surface



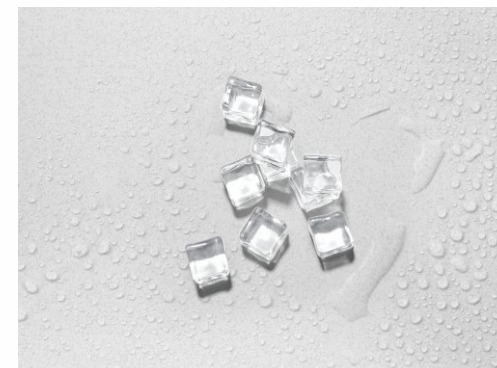
Impact Resistant Surface



Resistant to UV Rays



Resistant to Mould, Mildew, And Fungus



SURFACES FOR EVERY SPACE

The surfaces of the our Collection are functional, multifaceted, and simply dexterous. The versatile size of the collection paired with the exceptional features enables the wide application possibilities allowing tiling solutions to a plethora of spaces and furnishing.



Door Frame



Window Frame



Lift Frame



Basin & Furniture



Bathtub



Fireplace



Work Top



Dining tabletop



Staircase



Countertop

800x2400mm

15mm Thickness

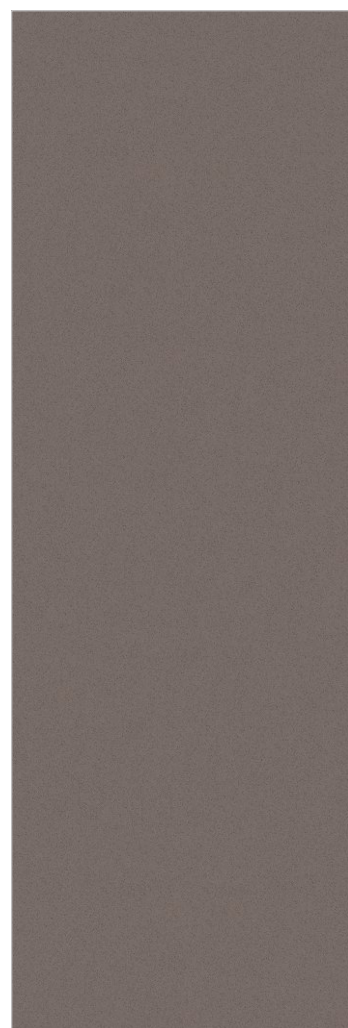
APPLICATION AREAS



800x2400mm

Thickness_15mm
Type_Full Body

ELEZZO COCOA



Surface
Glossy & Matt

ELEZZO BURLY



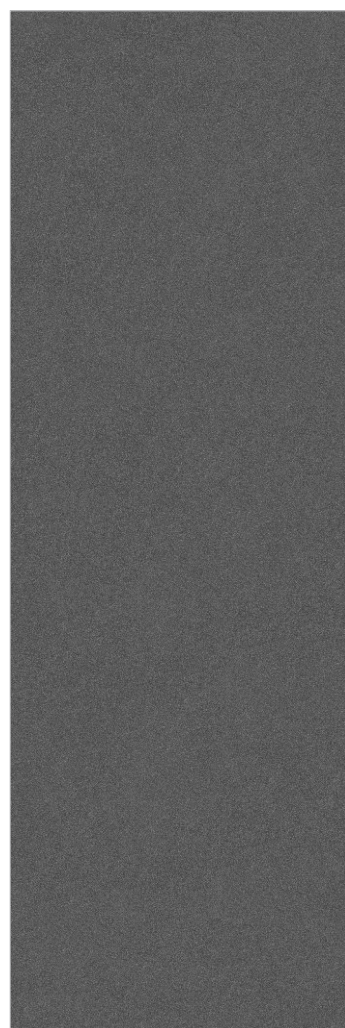
Surface
Glossy & Matt

ELEZZO CREMA



Surface
Glossy & Matt

ELEZZO BLACK



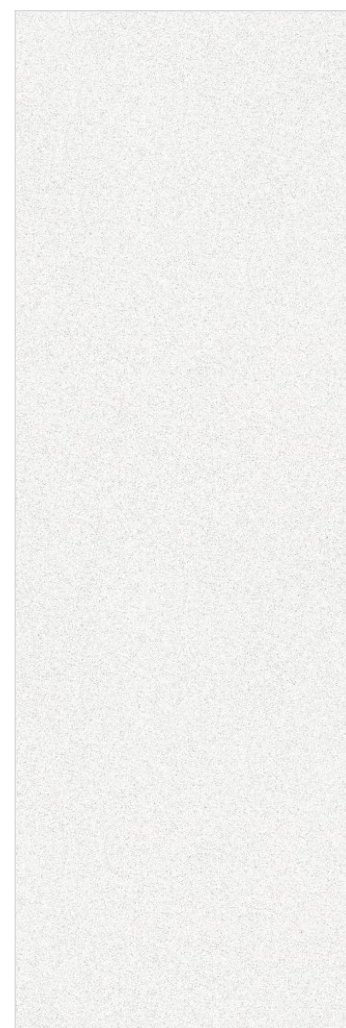
Surface
Glossy & Matt

ELEZZO GREY



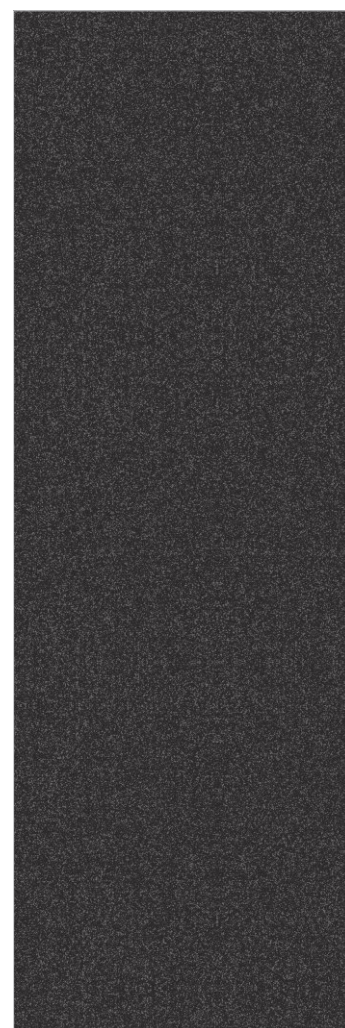
Surface
Glossy & Matt

ELEZZO WHITE



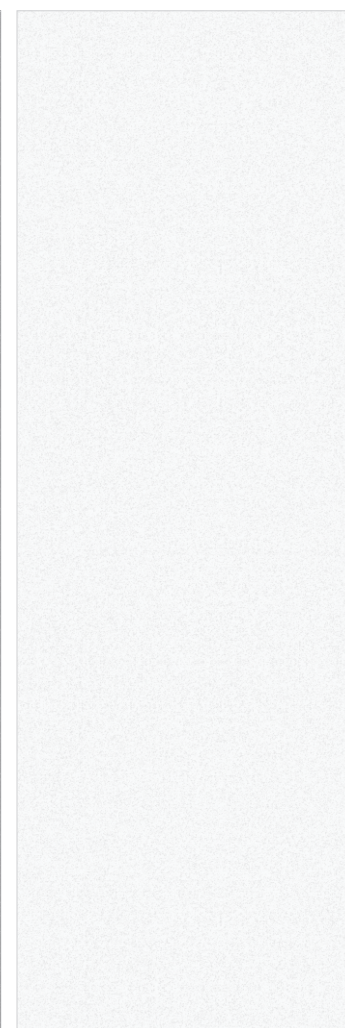
Surface
Glossy & Matt

GLITER BLACK



Surface
Matt carving

GLITER WHITE



Surface
Matt carving

ELEZZO COCOA



800x2400mm

15mm Thickness

18-19

ELEZZO COCOA



ELEZZO COCOA

800x2400mm

15mm Thickness

20-21

ELEZZO BURLY



800x2400mm

15mm Thickness

22-23

ELEZZO BURLY



ELEZZO BURLY

800x2400mm

15mm Thickness

24-25

ELEZZO CREMA



800x2400mm

15mm Thickness

ELEZZO CREMA



ELEZZO CREMA

800x2400mm

15mm Thickness

28-29

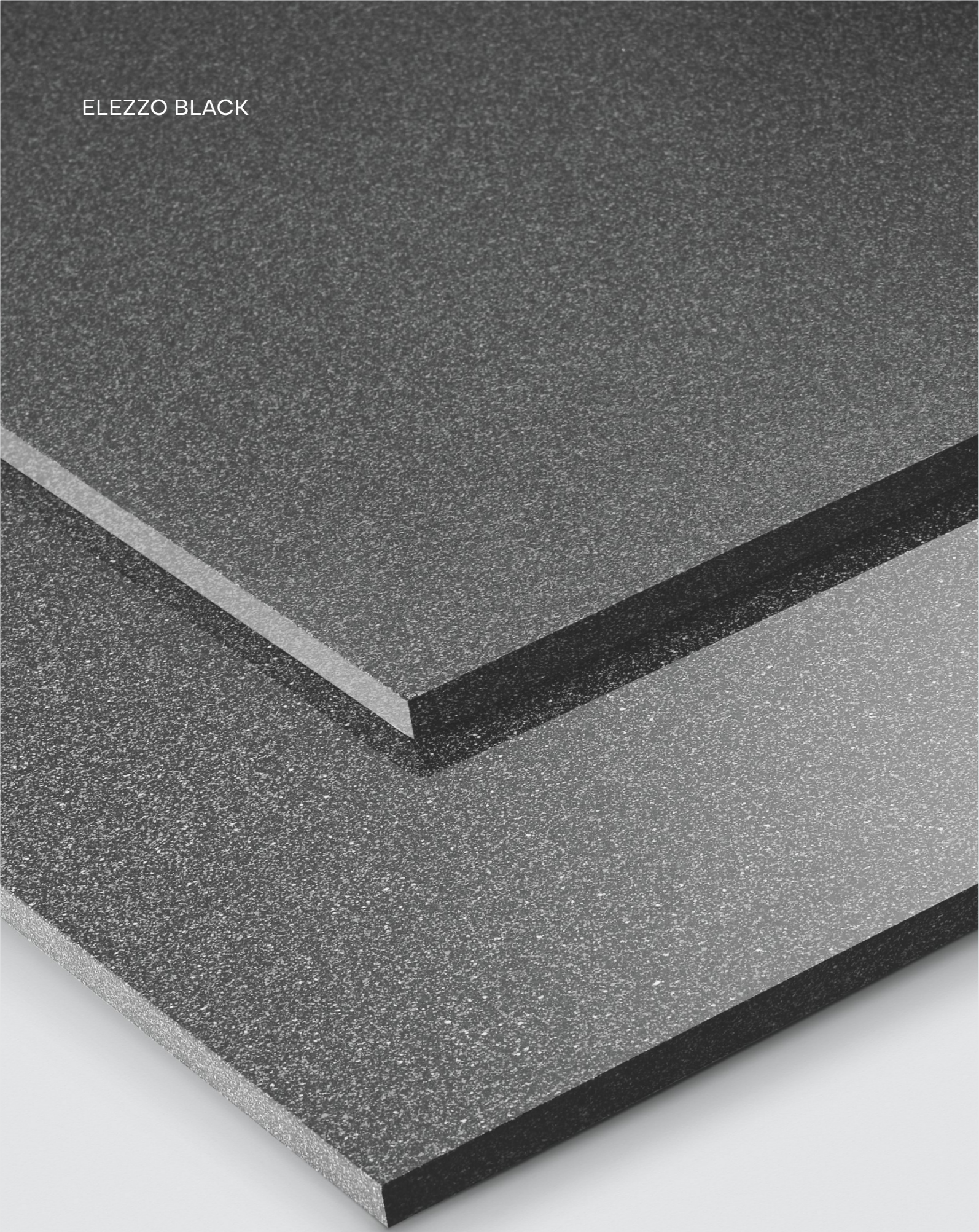
ELEZZO BLACK



800x2400mm

15mm Thickness

ELEZZO BLACK



ELEZZO BLACK

800x2400mm

15mm Thickness

32-33

ELEZZO GREY

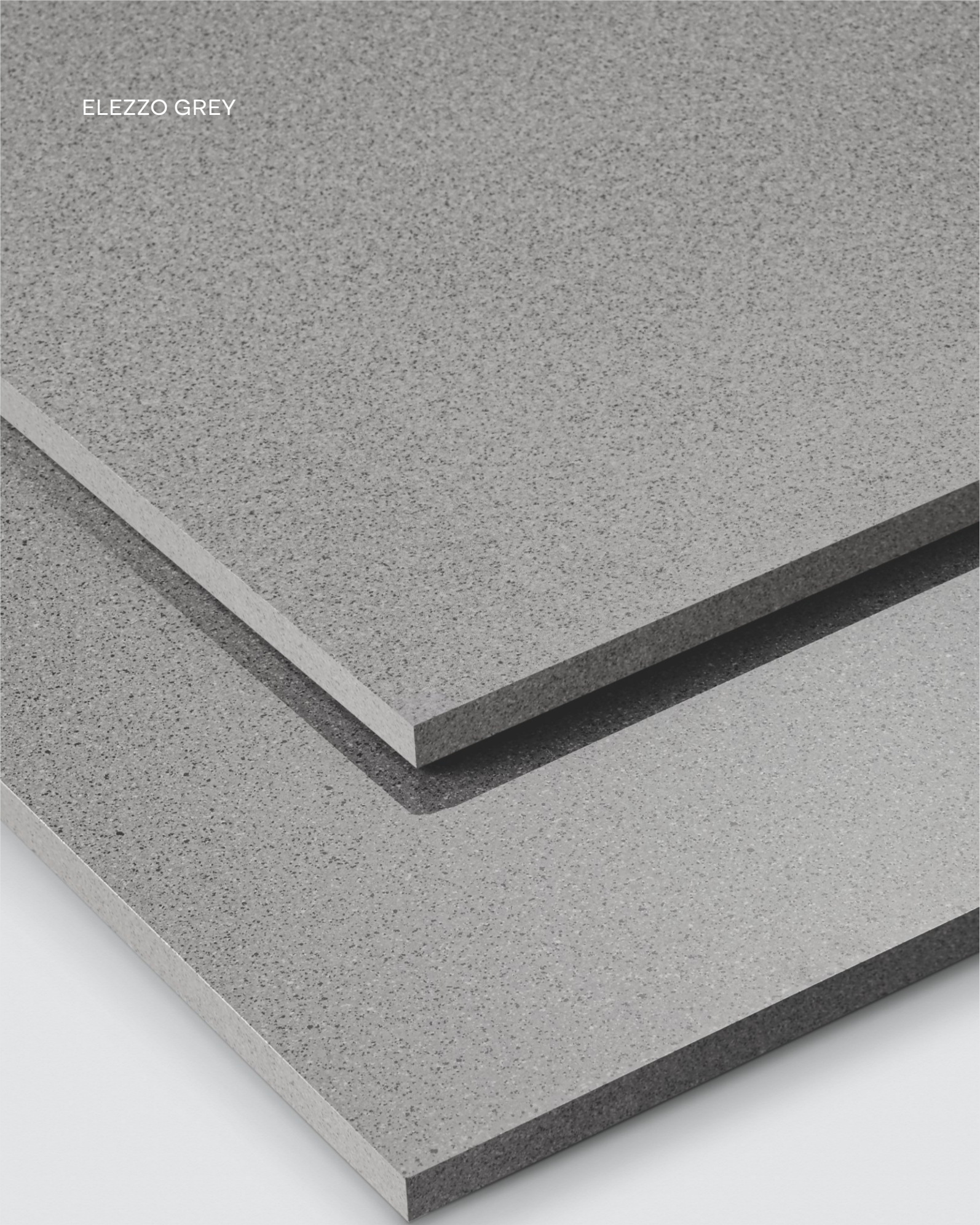


800x2400mm

15mm Thickness

34-35

ELEZZO GREY



ELEZZO GREY

800x2400mm

15mm Thickness

36-37

ELEZZO WHITE

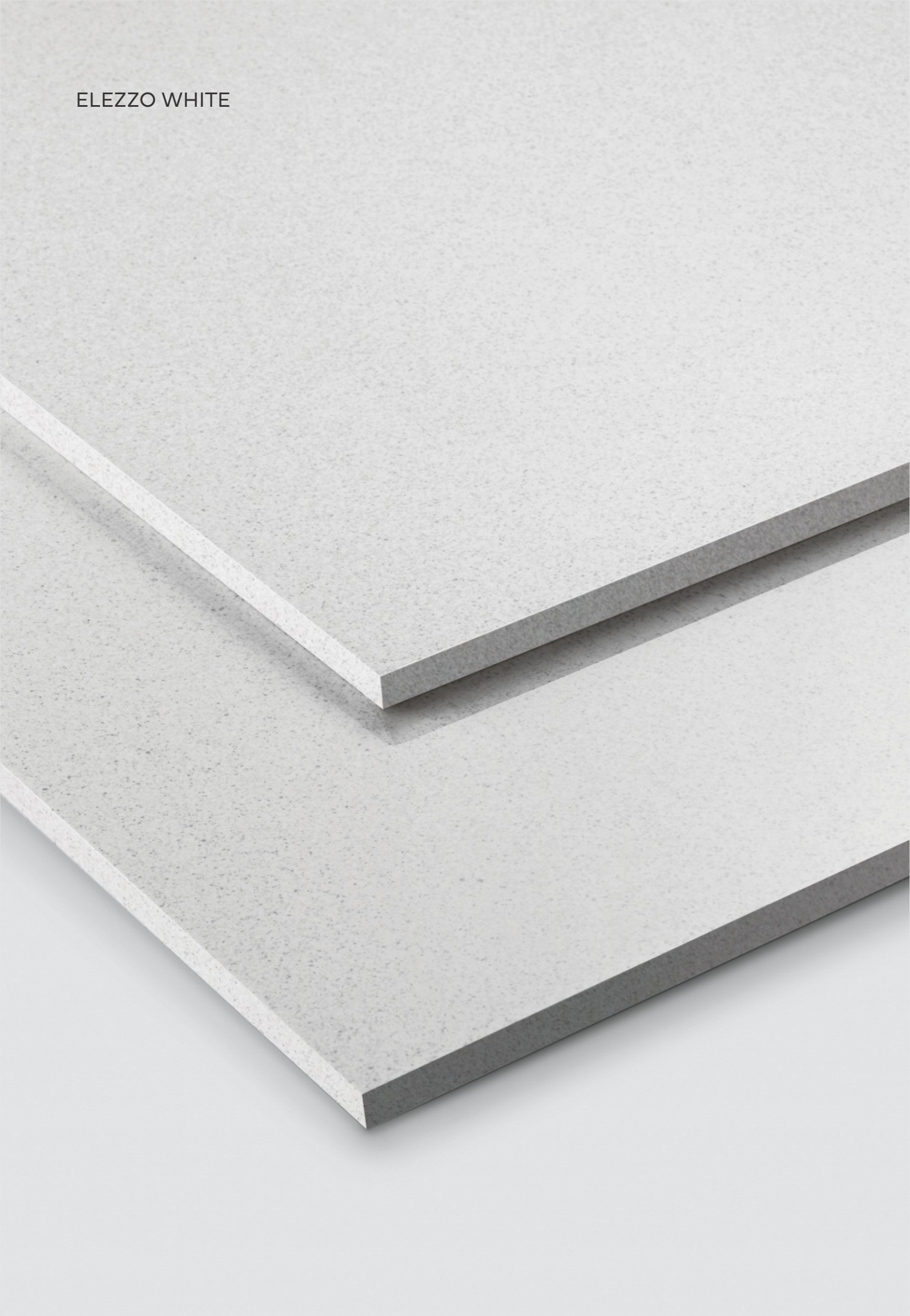


800x2400mm

15mm Thickness

38-39

ELEZZO WHITE



ELEZZO WHITE

800x2400mm

15mm Thickness

40-41

GLITER BLACK

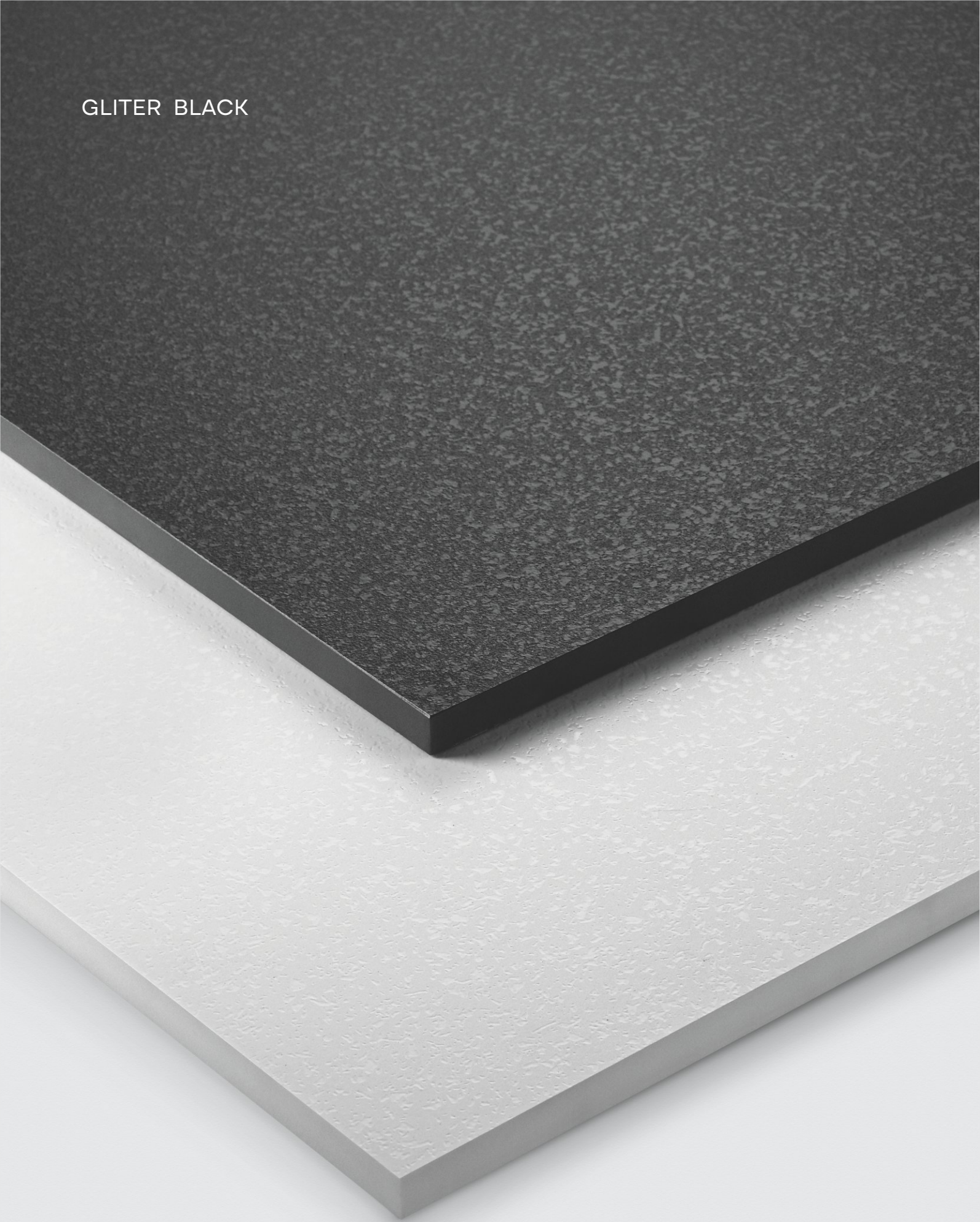


800x2400mm

15mm Thickness

42-43

GLITER BLACK



GLITER BLACK

800x2400mm

15mm Thickness

44-45

GLITER WHITE

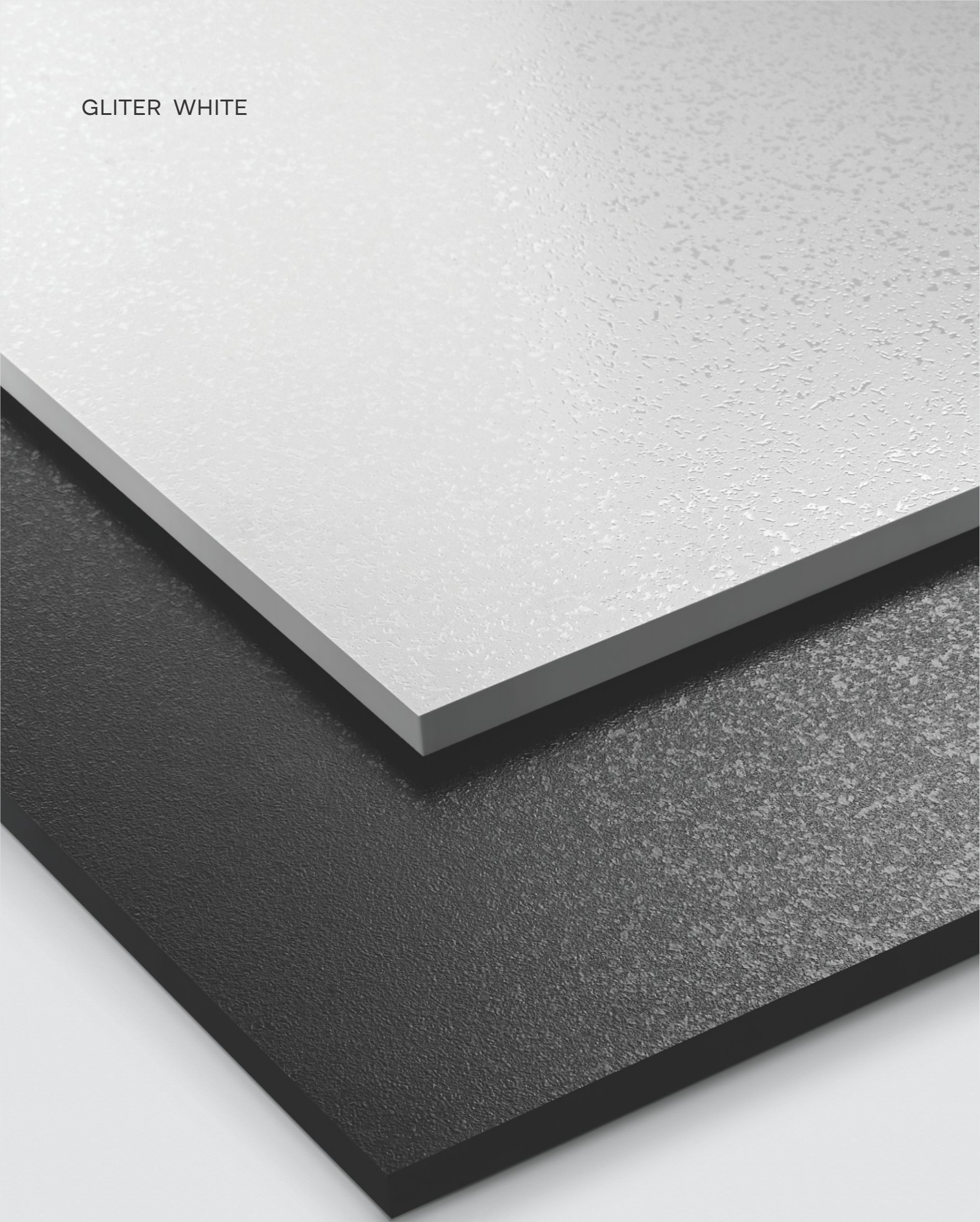


800x2400mm

15mm Thickness

46-47

GLITER WHITE



GLITER WHITE

800x2400mm

15mm Thickness

48-49

ELITONE BIANCO

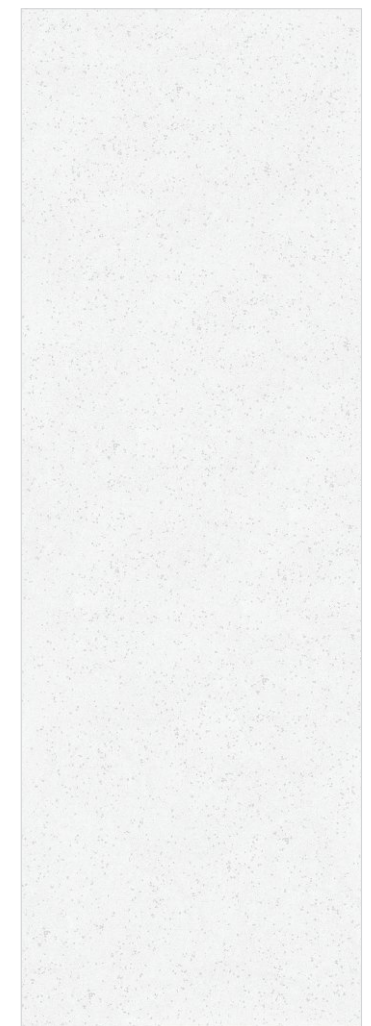


800x2400mm

Thickness_15mm

Type_Full Body

ELITONE BIANCO



Surface
Glossy

800x2400mm

15mm Thickness

ELITONE BIANCO



ELITONE BIANCO

800x2400mm

15mm Thickness

52-53

800x2400mm

Thickness_15mm
Type_Full Body

VENTA BALCK



Surface
Glossy & Matt

AIZA CINNAMON



Surface
Glossy & Matt

AIZA GREY



Surface
Glossy & Matt

AIZA OLIVE



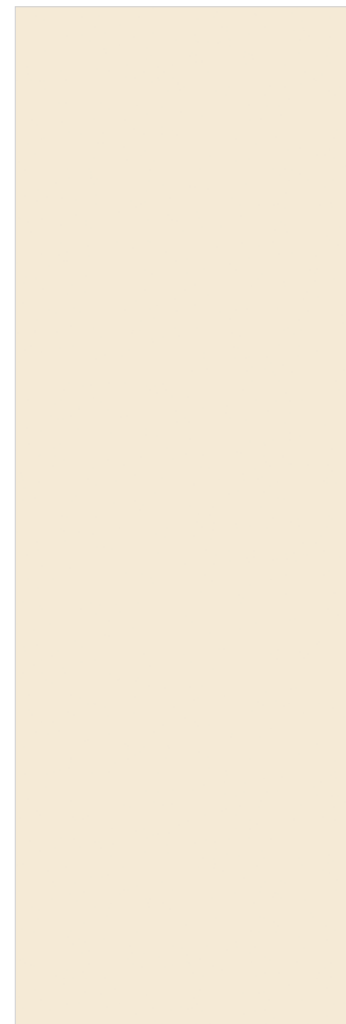
Surface
Glossy & Matt

AIZA HONEY



Surface
Glossy & Matt

AIZA BONE



Surface
Glossy & Matt

VENTA BALCK



800x2400mm

15mm Thickness

VENTA BALCK



VENTA BALCK

800x2400mm

15mm Thickness

58-59

AIZA CINNAMON

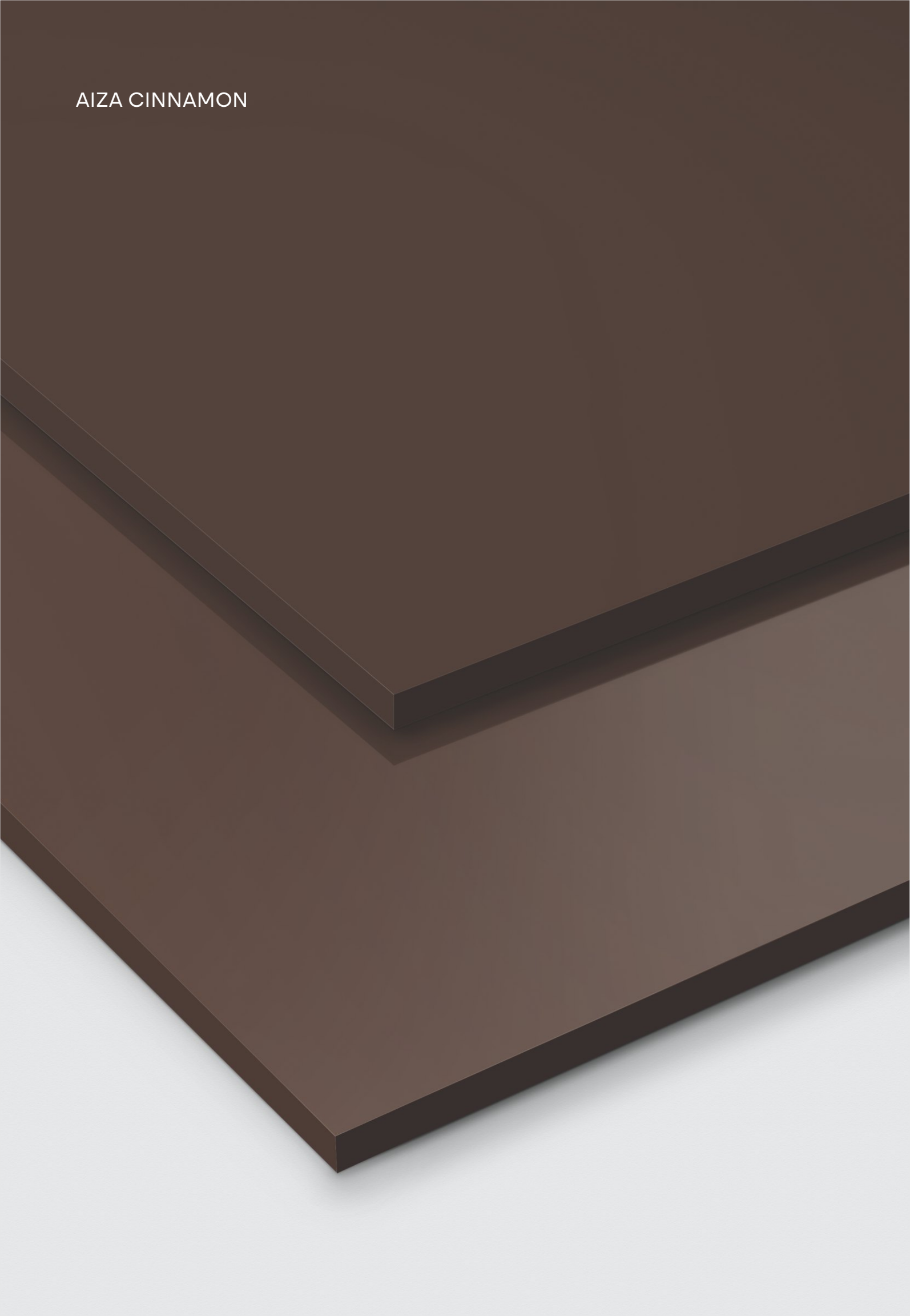


800x2400mm

15mm Thickness

60-61

AIZA CINNAMON



AIZA CINNAMON

800x2400mm

15mm Thickness

62-63

AIZA GREY

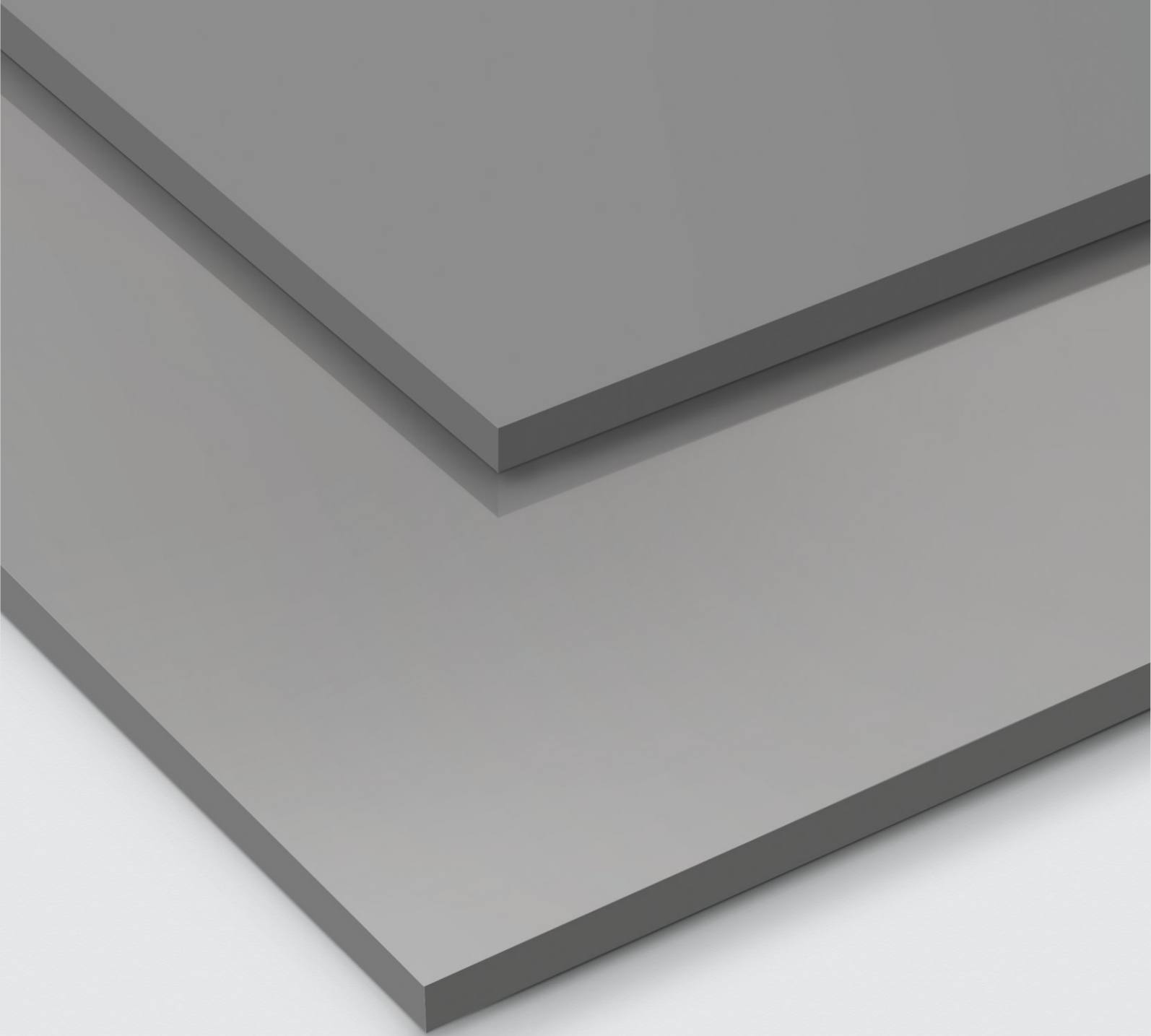


800x2400mm

15mm Thickness

64-65

AIZA GREY



AIZA GREY

800x2400mm

15mm Thickness

66-67

AIZA OLIVE



800x2400mm

15mm Thickness

AIZA OLIVE



AIZA OLIVE

800x2400mm

15mm Thickness

70-71

AIZA HONEY



800x2400mm

15mm Thickness

72-73

AIZA HONEY



AIZA HONEY

800x2400mm

15mm Thickness

74-75

AIZA BONE

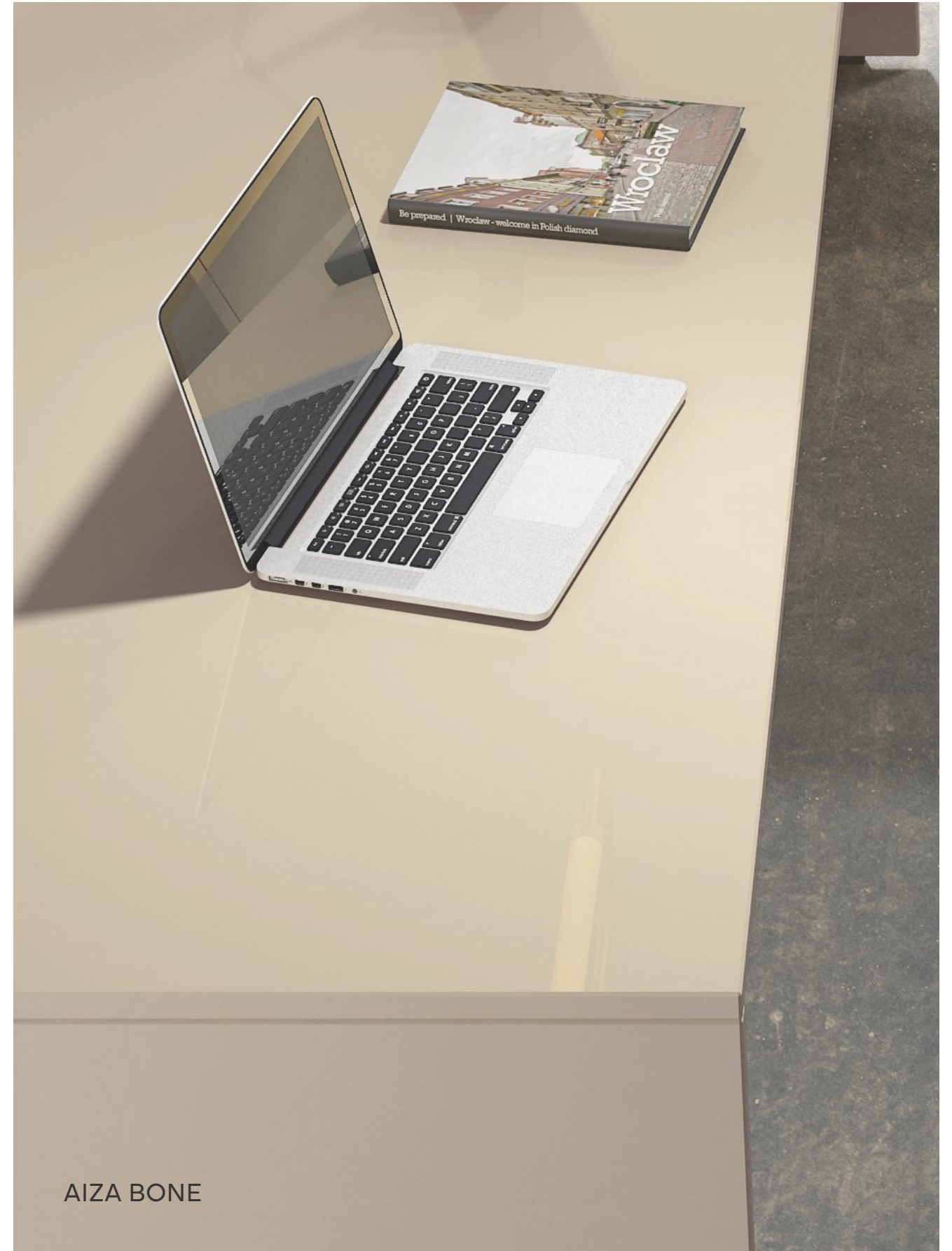


800x2400mm

15mm Thickness

76-77

AIZA BONE



AIZA BONE

800x2400mm

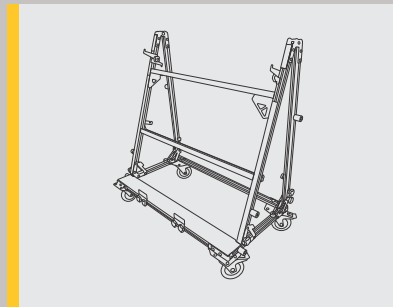
15mm Thickness

78-79

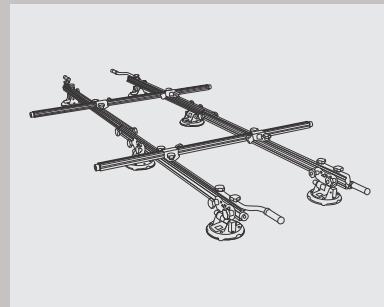
Slab Handling

Tools suggested for handling

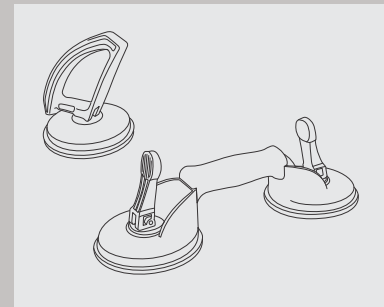
For handling the enormously sized slabs from our, we recommend careful handling with the help of four handlers at the same time in case of the largest size and at least two handlers for the smaller sizes of the slabs.



Reinforced trolley



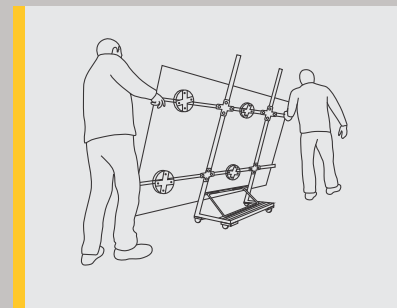
Parallel & transverse guides



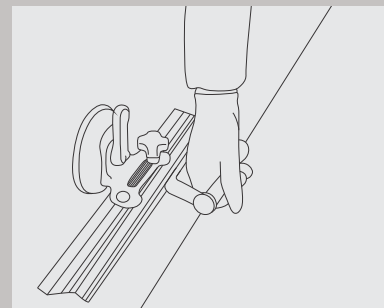
Single & Double suction cup

Handling instructions

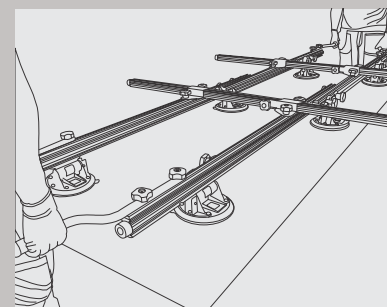
our recommends the use of a kit of devices designed especially for the handling of large-size slabs.



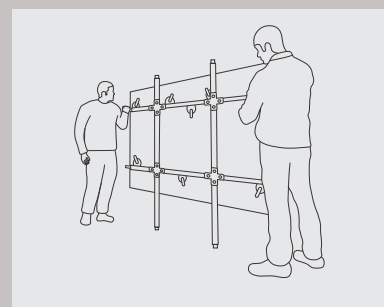
We recommend carrying out the handling job of the slabs with four handlers at the same time.



Ensure proper suction with a vacuum between the device and the slab and use a single device/suction cup for a maximum length of up to 150cms.



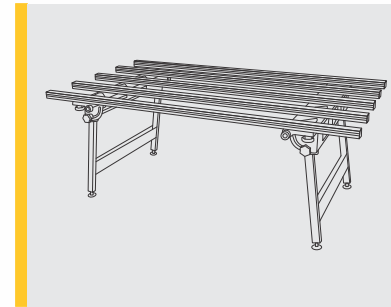
To lift the slabs use sucker cups after cleaning the slab and cups with a damp sponge. Make sure the device also has suckers that run along with the guides and adhere to the slab.



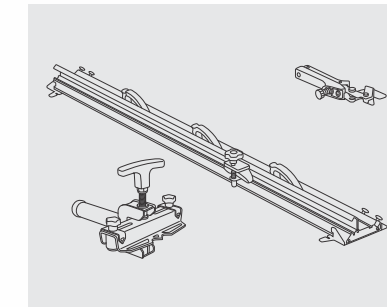
To lift the slab use guides from the long sides of the slab and lift/hang it vertically to the handles of the trolley frame. Use appropriate size reinforced trolley for various sizes of slabs.

Slab Cutting & Drilling

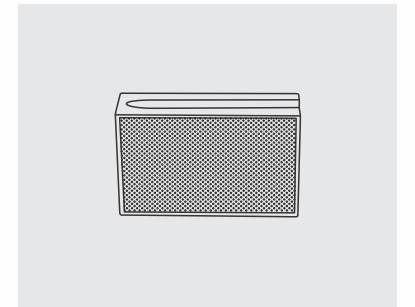
Tools suggested for cutting and drilling



Workbench with aluminum profiles

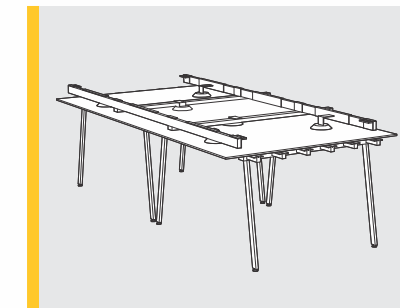


Cutting unit

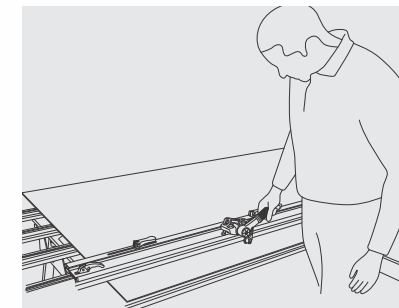


Diamond polishing pads

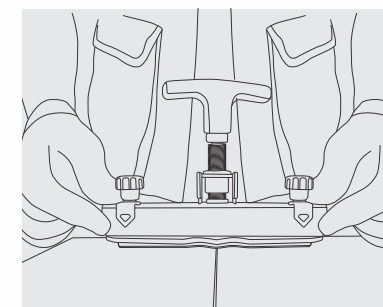
Manual cutting instructions



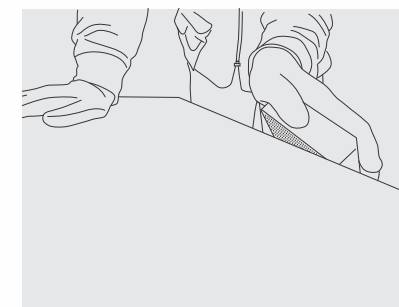
Lay the slab on a flat surface and preferably on a workbench with aluminum profiles. Make sure the surface is stable for both cutting and drilling.



Make markings on the slab according to the desired cutting and drilling need.



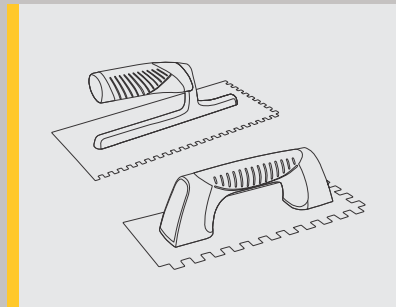
After scoring the length and making the cut, move the slab out of the workbench till the incision line and split from both sides using cutting-off pliers.



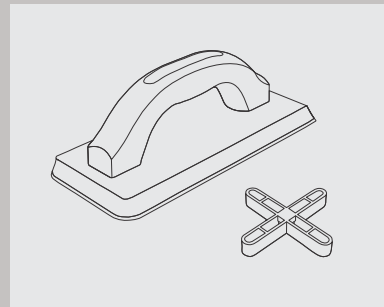
Smooth the edges of the length cut with a diamond polishing pad.

Slab Laying

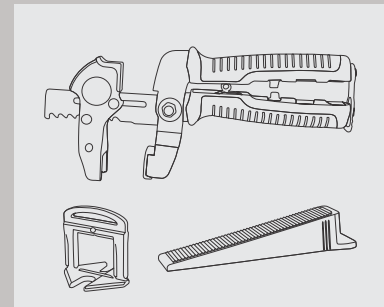
Tools suggested for Laying



3mm & 10mm trowel



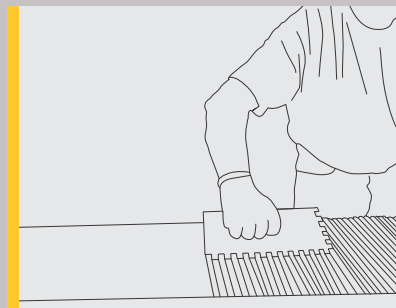
Rubber trowel & Spacers



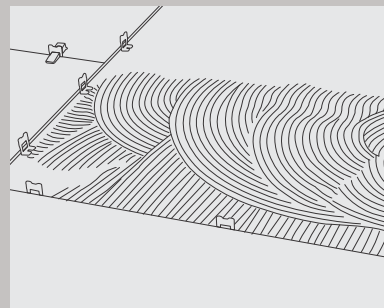
Device for plate's pulling over and Leveling wedges & clips

Slab Laying Instructions

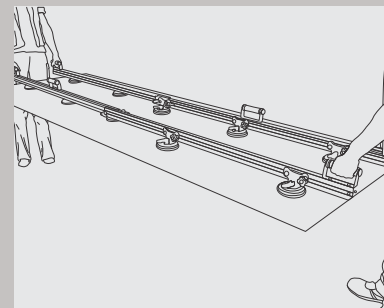
Check the laying substrate. Make sure it is clean, mature, and homogeneous with no cracks.



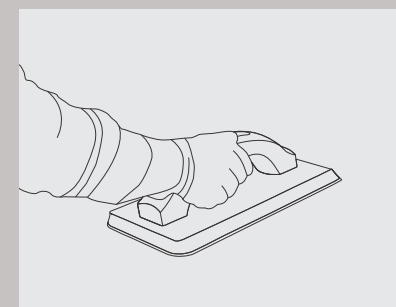
Apply adhesive onto the back of the slab with a 3mm trowel in one direction only.



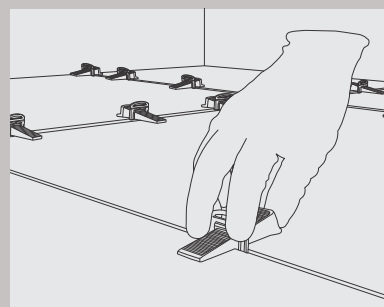
Apply adhesive onto the floor substrate at the same time while applying on the slab with a 15mm U-notch or 19mm V-notch trowel in the same direction as the slabs.



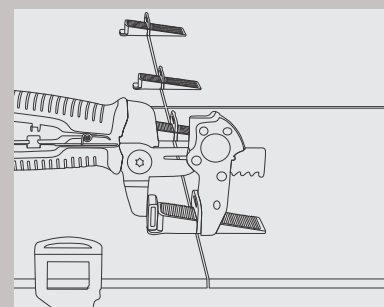
Position the slab on the adhesive bed with a sucker frame with adjustment of a minimum of 3mm joint.



Tap the slab from the center to the edges with a rubber trowel to expel air. Make sure air is expelled and there is no bubble between the slab and the substrate.

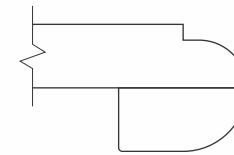


Complete the laying of the slab with a suitable sealant while keeping a 3mm joint through spacers. The special device of pulling over the slabs can be used for easy laying and spacing.

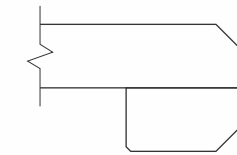


Level the wedges at each linear meter of the slab.

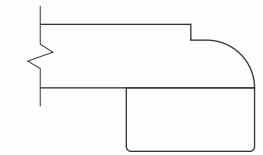
Slab Edge Possibilities



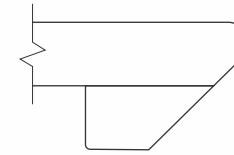
1-1/2" Dupont Bullnose



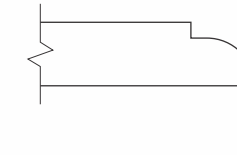
1-1/2" Pencile Edge



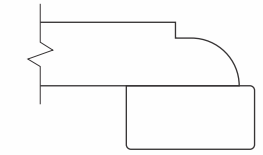
1-1/2" Dupont Square



1-1/2" Revers Bevel



3/4" Dupont Demi



1-1/2" Dupont Step Square

Cleaning & Maintenance

High-quality raw materials, rigorous production parameters, and world-class technology at our make the exclusive offering nonporous and thus no dust or deposited waste penetrates the surface.

The no-maintenance surfaces require only a damp cloth for cleaning.

Routine and recurring cleaning spotlights the aesthetic features of the surfaces and keeps the surfaces shining.

For cleaning contamination and stains caused by some common food and other material follow the table below:

TYPE OF STAIN	CHEMICAL PRODUCT	EXAMPLE
Grease	Alkaline - Solvent	Detergent
Oil	Solvent	Ammonia, Baking Soda
Ink	Oxidant - Solvent	Alcohol, Liquid Bleach, Nail Paint Remover
Rust	Acid	Hydrochloric Acid, Vinegar, Red Harpic
Lime	Acid	Descaling Reagent, Hydrochloric Acid
Cement	Acid	Hydrochloric Acid
Wine	Alkaline	Ammonia, Liquid Bleach
Coffee	Alkaline - Solvent	Ammonia, Liquid Bleach
Rubber	Solvent	Alcohol, Thinner
Plaster	Acid	Hydrochloric Acid
Candle Wax	Solvent	Alcohol, Thinner
Iodine	Oxidant	Liquid Bleach
Blood	Oxidant	Liquid Bleach
Ice Cream	Alkaline	Liquid Bleach

Note: It is recommended that any kind of stain needs to get clean immediately / as soon as possible.

Technical Specification

CHARACTERISTIC	STANDARD AS PER ISO13006:2018/ EN14411 Gr.Bla	STANDARD AS PER IS 15622:2017 Gr.Bla	MEAN VALUE OF Our	METHOD OF TESTING
Regulatory Properties				
Deviation in Length and Width	±0.30 % (±1.00 mm)	±0.10 %	± 0.10 %	ISO 10545-2/IS 13630-1
Deviation in Thickness	±5.0 % (± 0.50 mm)	±5.0 %	± 5.0 %	ISO 10545-2/IS 13630-1
Straightness in Side	±0.30 % (± 0.80 mm)	±0.10 %	± 0.10 %	ISO 10545-2/IS 13630-1
Rectangularity	±0.30 % (±1.50 mm)	±0.10%	± 0.10 %	ISO 10545-2/IS 13630-1
Surface Flatness Central Curvature	±0.40 % (± 1.80 mm)	±0.50 %	± 0.20 %	ISO 10545-2/IS 13630-1
Surface Flatness Edge Curvature	±0.40 % (± 1.80 mm)	±0.50 %	± 0.20 %	ISO 10545-2/IS 13630-1
Surface Flatness Warpage	±0.40 % (± 1.80 mm)	±0.50 %	± 0.10 %	ISO 10545-2/IS 13630-1
Surface Quality	>95% defects free	>95% defects free	>95% defects free	ISO 10545-2/IS 13630-1
Small Color Difference (For Plain Colour)	ΔE <1.00	N.A.	ΔE <0.80	ISO 10545-16
Glossiness (Polished)	As per Manufacturer	As per Manufacturer	≥ 90	Gloss Meter 60°
Glossiness (Satin)	As per Manufacturer	As per Manufacture	7 ≤ Gloss Value ≤ 25	Gloss Meter 60°
Structural Properties				
Water Absorption	≤0.50 %	≤0.080 %	≤0.080 %	ISO 10545-3/IS 13630-2
Bulk Density	As per Manufacturer	Min 2.20 g/cc	> 2.28 gm/cc	ISO 10545-3/IS 13630-2
Massive Mechanical Properties				
Modulus of Rupture	Min. 35.0 N/mm ²	Min. 35.0 N/mm ²	Min. 40.0 N/mm ²	SO 10545-4/IS 13630-6
Breaking Strength Thickness ≥7.5 mm	Min 1300.0 N	Min 1300.0 N	Min 6000.0 N	ISO 10545-4/IS 13630-6
Surface Mechanical Properties				
MOH'S Hardness #	As per Manufacturer	Min. 5	Polished Min 4**/ Satin & Posh Min 6	BS EN 15771/IS 13630-13
Surface Abrasion Resistance #	As per Manufacturer	Min. Class II	Polished Min II**/ Satin & Posh Min III	ISO 10545-7/IS 13630-11
Thermal Hygrometric Properties				
Moisture Expansion	Max 0.06% (0.6 mm/m)	Max 0.02 mm/m	Max 0.02 mm/m	ISO 10545-10/IS 13630-3
Thermal Expansion(COE) at 100°C	As per Manufacturer	Max. 6.0 x 10-6	Max. 6.0 x 10-6	ISO 10545-8/IS 13630-4
Thermal Shock Resistance	Min 10 Cycle	Min 10 Cycle	Min 10 Cycle	ISO 10545-9/IS 13630-5
Impact Resistance(COR) #	Min. 0.55	Min 0.55	Min 0.55	ISO 10545-5/IS 13630-14
Frost Resistance	As per Manufacturer	As per Manufacturer	Frost Proof	ISO 10545-12/IS 13630-10
Crazing Resistance at 7.5 bar	4 Cycle	4 Cycle	4 Cycle	ISO 10545-11/IS 13630-9
Chemical Properties				
Resistance to Staining Glazed	Min. Class 3	Min Class 1	Min. Class 3/Min. Class 1	ISO 10545-14/IS 13630-8
Resistance to Household Chemicals & Swimming Pool Salts Glazed	Min Class GB	Min Class AA	Min Class GB/Min Class AA	ISO 10545-13/IS 13630-8
Resistance to Low Concentrate Acid and Alkalis Glazed	As per Manufacturer	As per Manufacturer	Min Class GLB***/ Min Class A***	ISO-10545-13/IS 13630-8
Resistance to High Concentrate Acid and Alkalis Glazed	As per Manufacturer	As per Manufacturer	Min Class GHB***/ Min Class A***	ISO-10545-13/IS 13630-8
Safety Properties				
Skid Resistance - (DCOF-WET PENDULUM)##	As per Manufacturer	As per Manufacturer	Glossy ≥P0,Satin,Posh ≥P1	BS 7976-2
Slip Resistance -Satin/Posh (DCOF- R Value)##	As per Manufacturer	As per Manufacturer	R9 to R10	DIN 51130
Lead and Cadmium release	As per Manufacturer	N.A.	Does not yield Pb &Cd	ISO-10545-15

Packing Detail

SIZE	THICKNESS	PCS/BOX	AREA/BOX	BOX/WT.
800x2400mm	15mm	1 pc	1.92 mt ²	67 kg

